



DYMUX SG

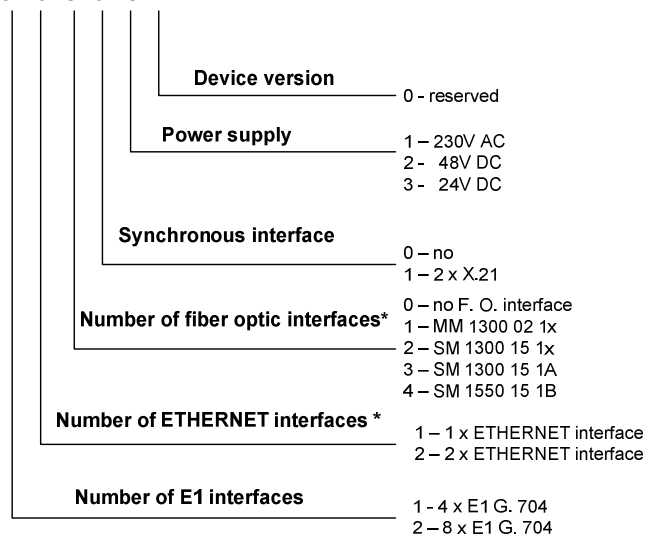


Product code:

**Desktop version:
ITX 482 78 – Dymux SG**

Variants:

ITX 482 78. a b c d e f



* - if optical interface is used, only 1 x ETHERNET can be used

Rack version:

ITX 402 33 - DYMUX SG 8 x E1, 1 x Ethernet 10/100

Rack card

ITX 402 73 - DYMUX SG 8 x E1, 1 x Ethernet 10/100

Rack card (E1 connectors conducted in the back)

Features:

Static functions:

- ◆ static connection of optional timeslots from E1 A – H interfaces

Dynamic functions:

- ◆ dynamic (statistic) concentration of voice timeslots
- ◆ calls routing according to the routing conditions
- ◆ CLIP and dial analysis
- ◆ change of parameters for called and calling party number
- ◆ dial authorization analysis
- ◆ call detailed record

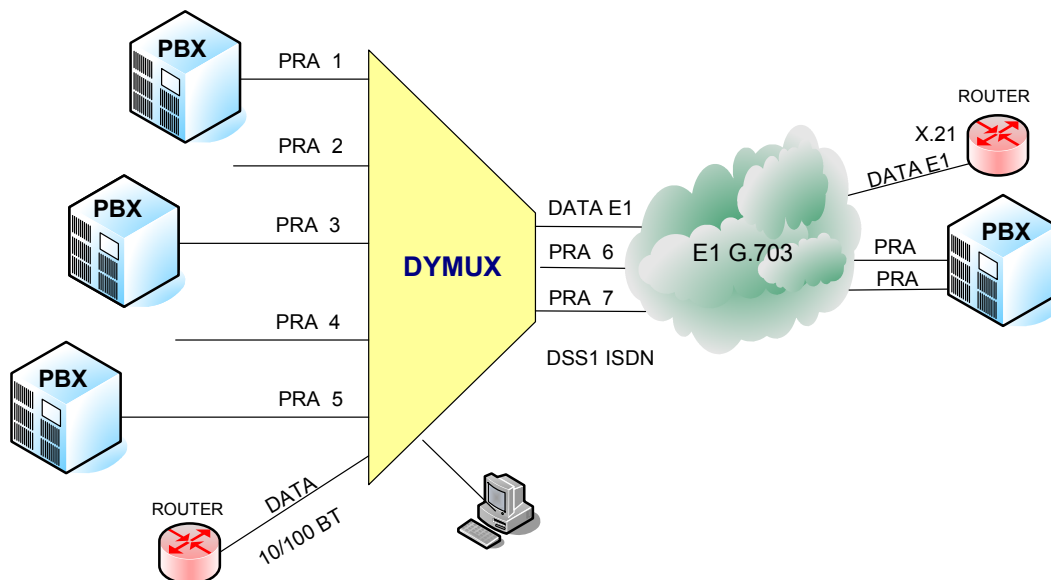
Extended functions:

- ◆ routing of data timeslots to Ethernet
- ◆ ID VLAN for data timeslots
- ◆ VLAN tag add/remove
- ◆ switch function

Basic parameters:

- ◆ 4 x or 8 x E1 G.704
- ◆ E1 framed $n \times 64$ kbps ($n = 1$ to 31 timeslots)
- ◆ E1 120 Ohm
- ◆ Multiplexer synchronization from E1 A - H
- ◆ V.24 interface
- ◆ Ethernet interface for data and multiplexer synchronization
- ◆ Power supply AC 230 V resp. DC 48 V

Applications:



Dimensions:

43.5 x 237 x 220 mm (h x w x d)