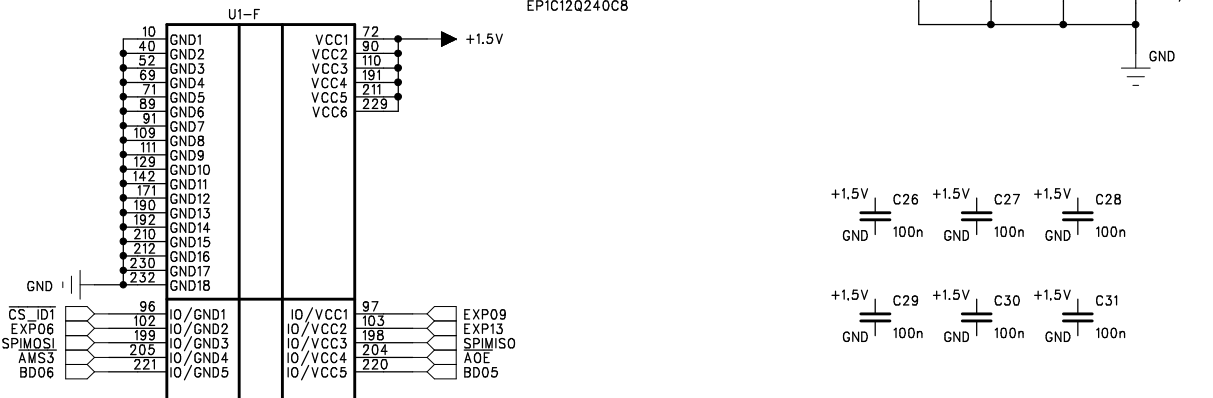
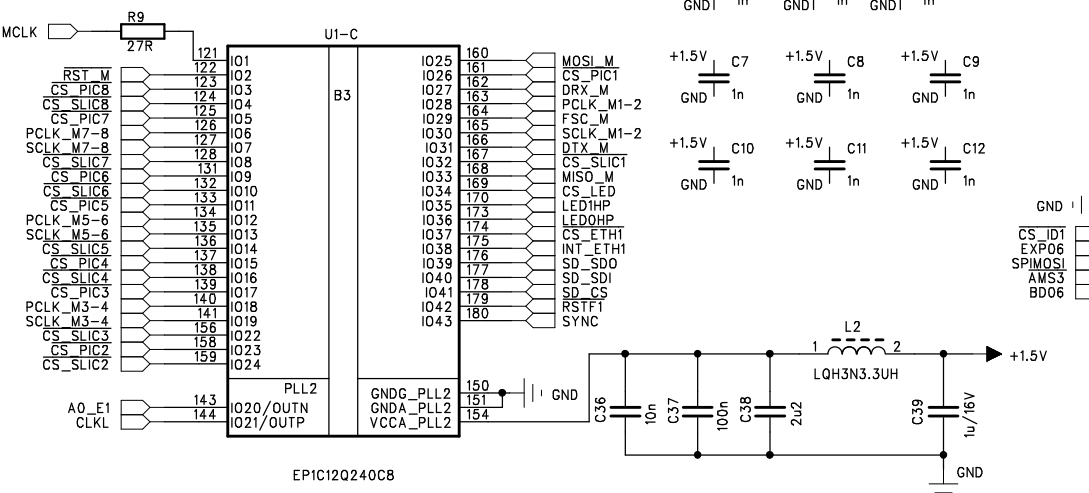
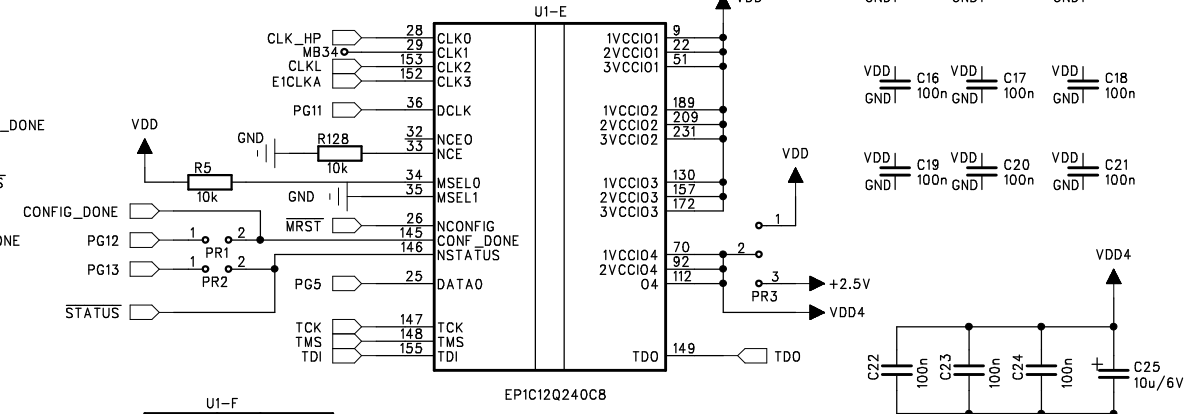
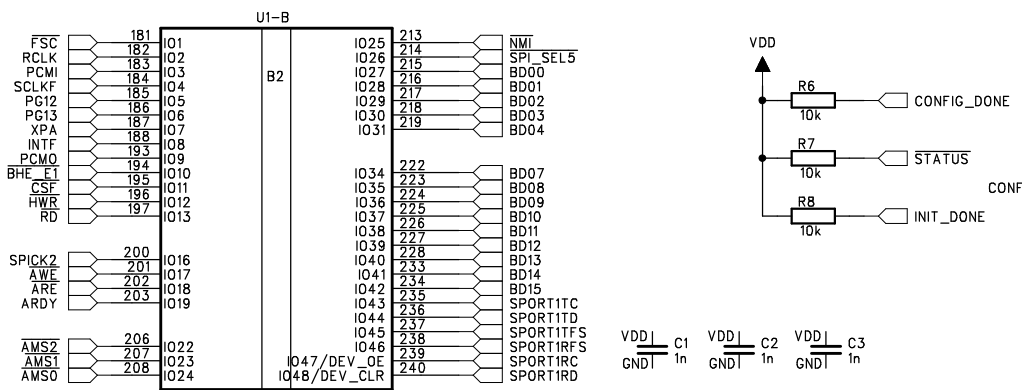
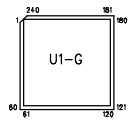
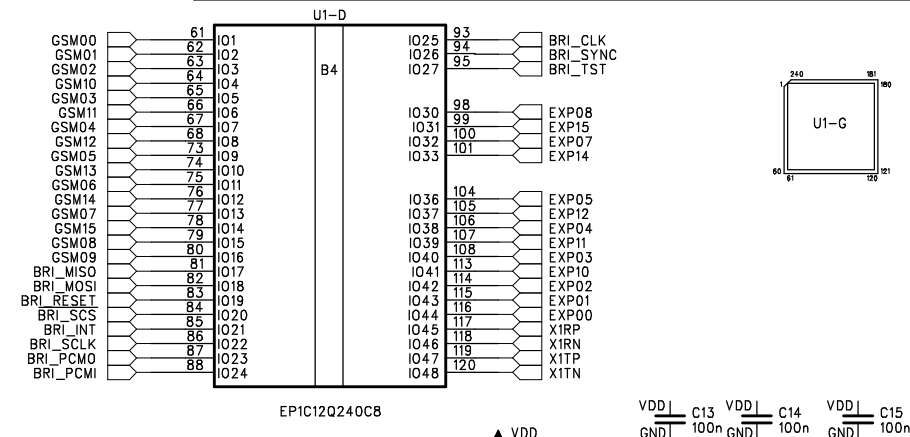
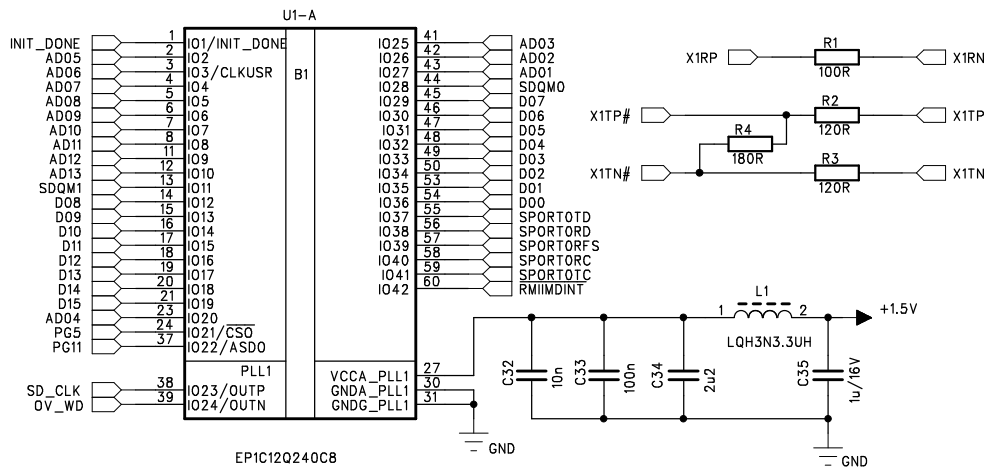


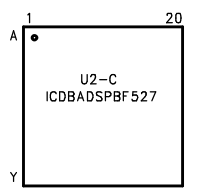
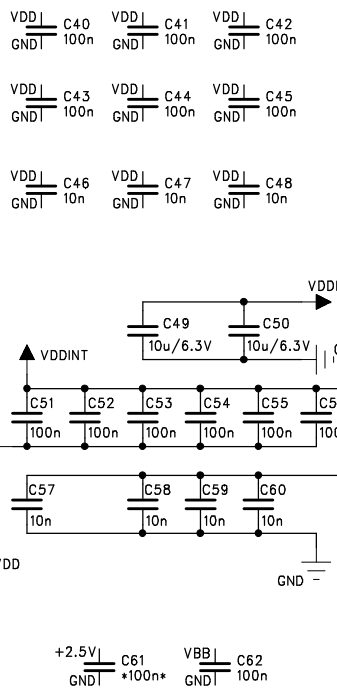
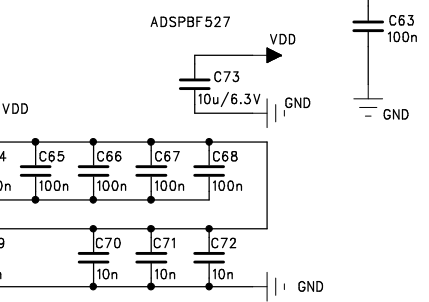
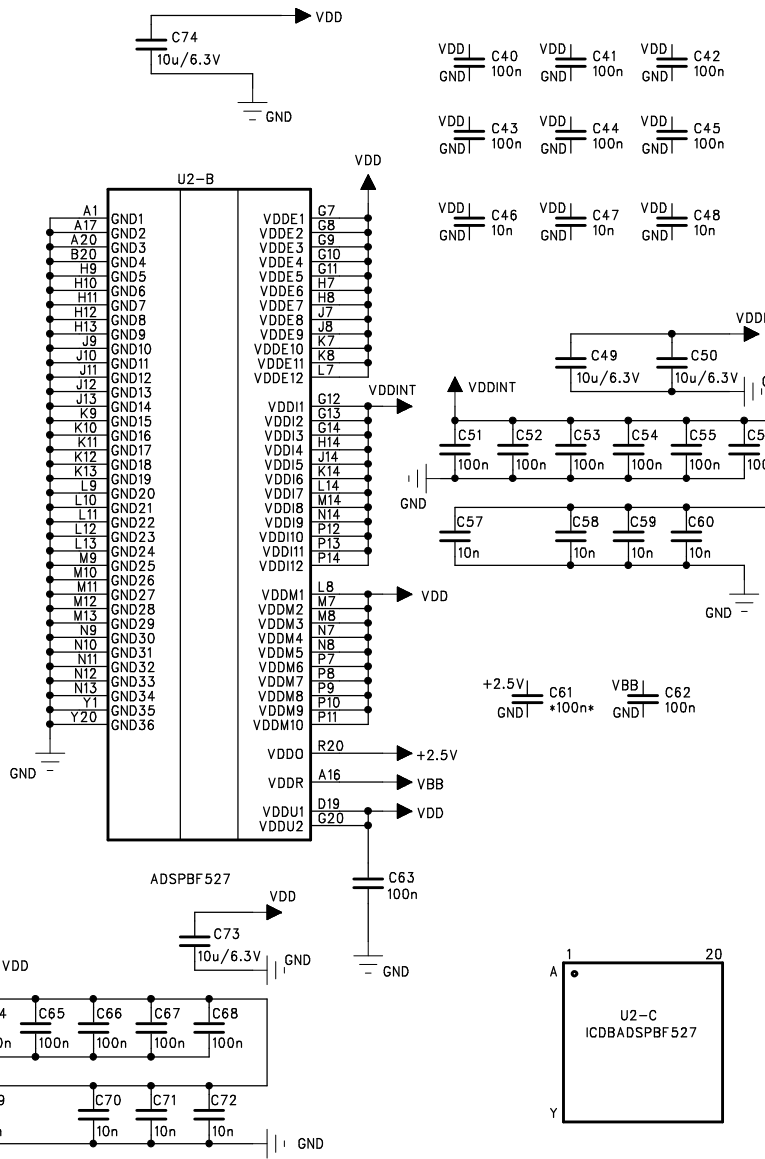
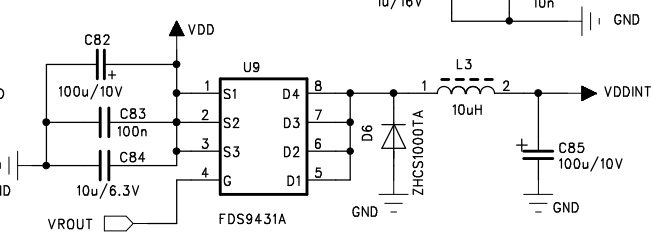
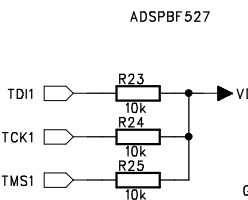
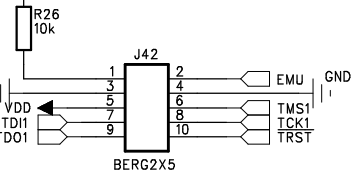
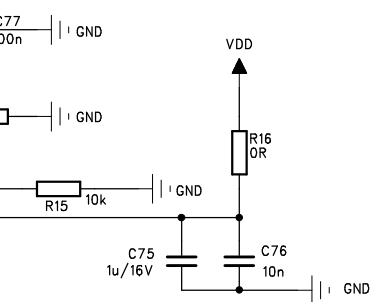
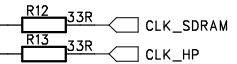
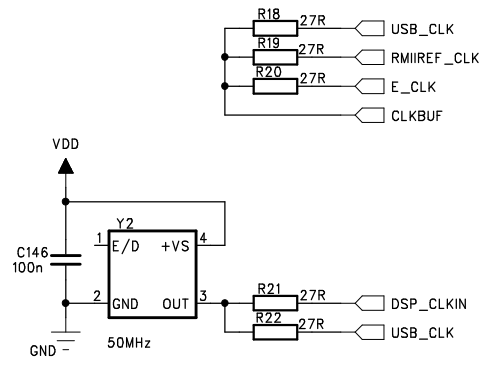
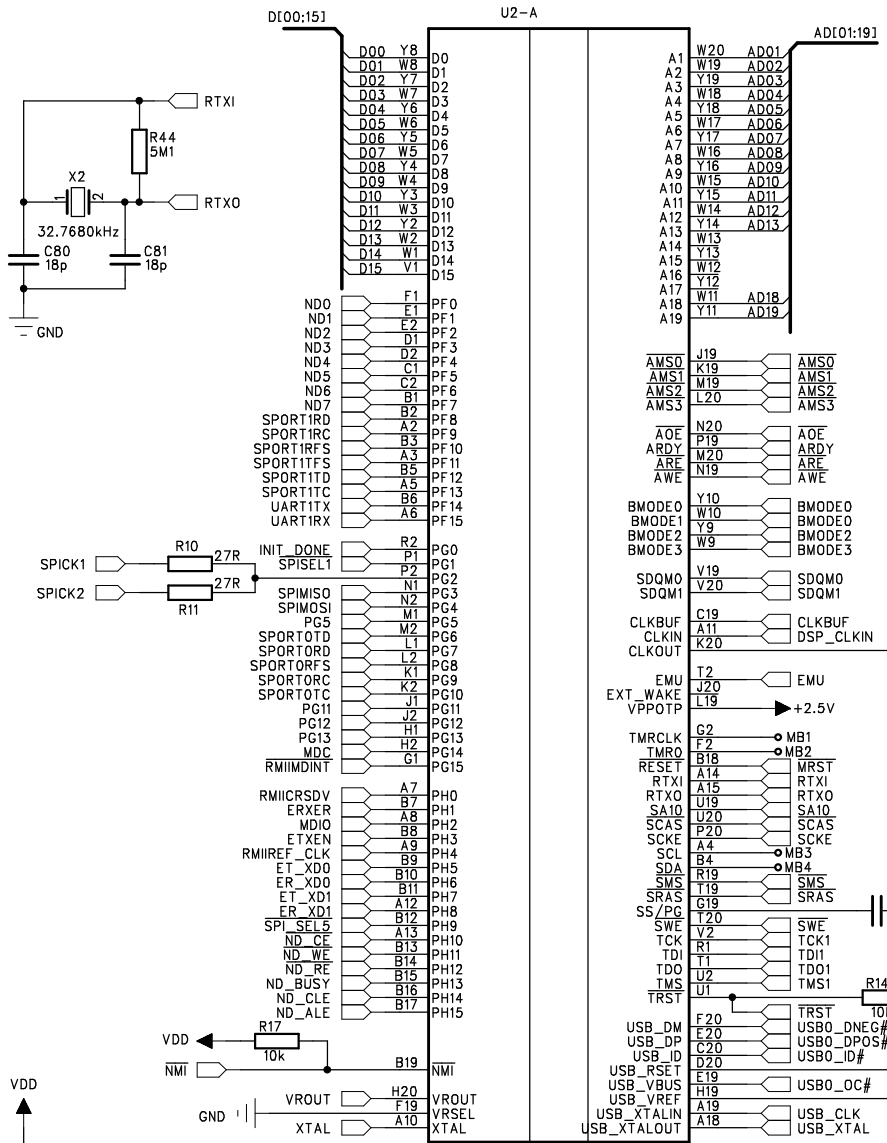
REVISION RECORD

DREW:

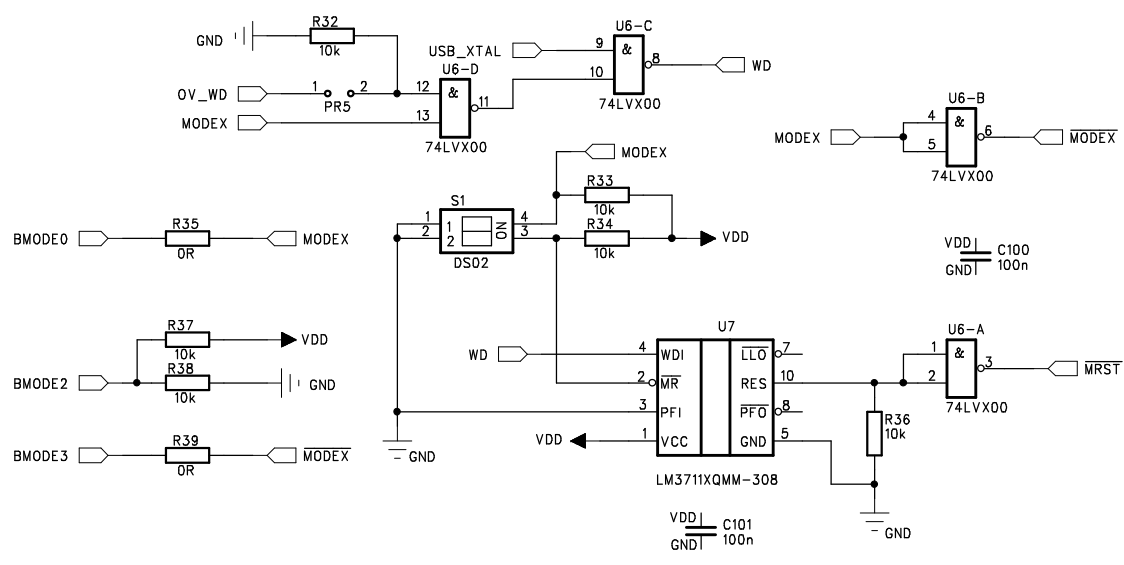
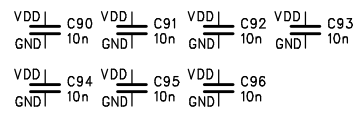
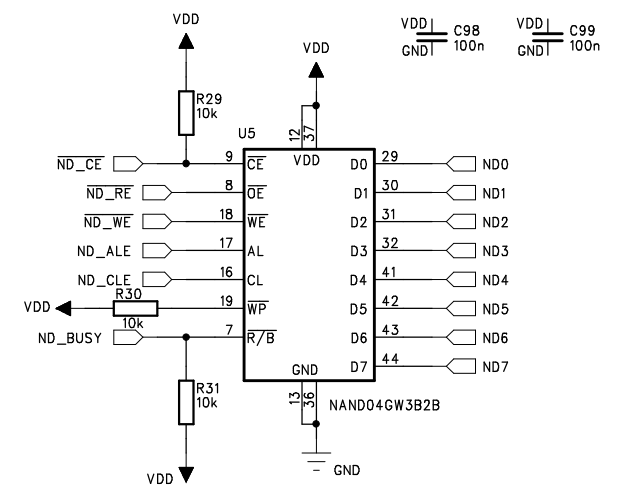
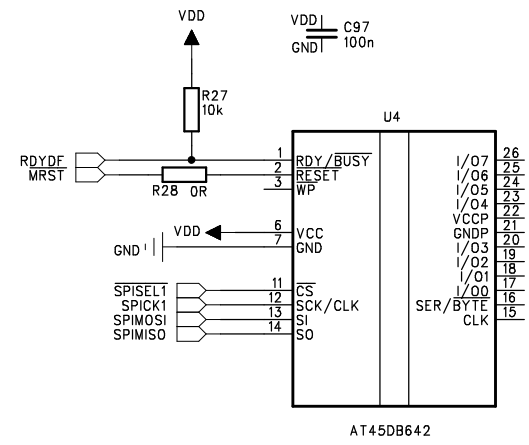
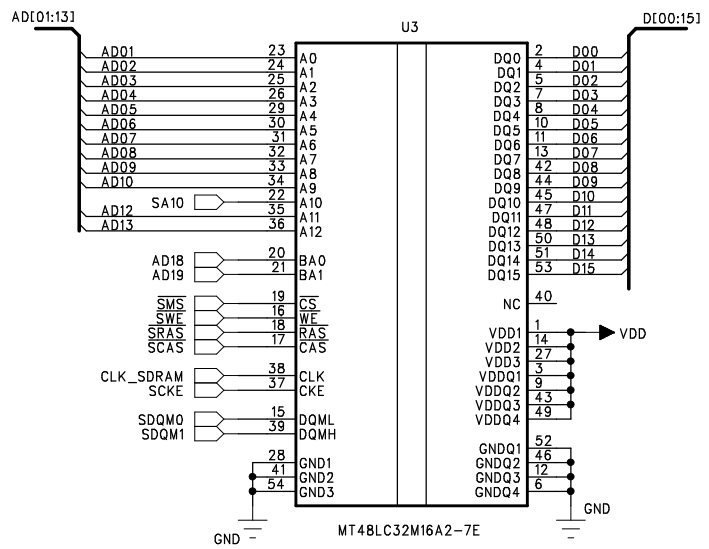
DATE:



COMPANY: INOTESKA s.r.o.		DATE:
TITLE:		CODE:
DRAWING NO:	REV:	CODE:
DREW:	APPROVED:	
SHEET: 1 OF 11		



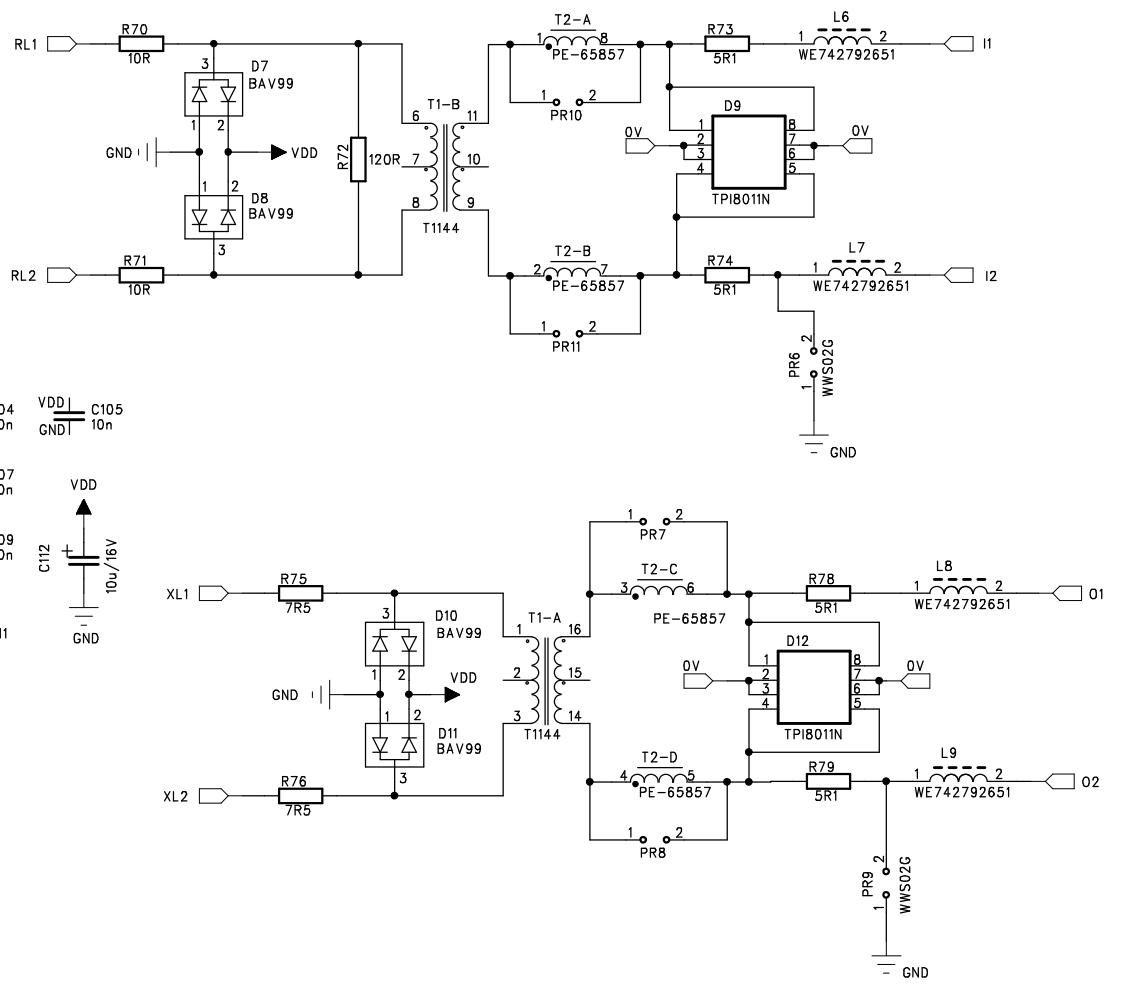
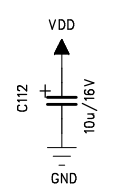
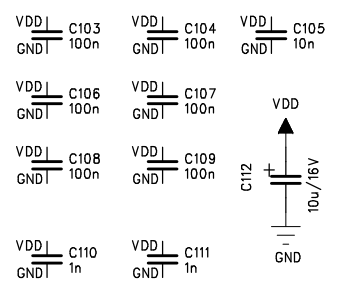
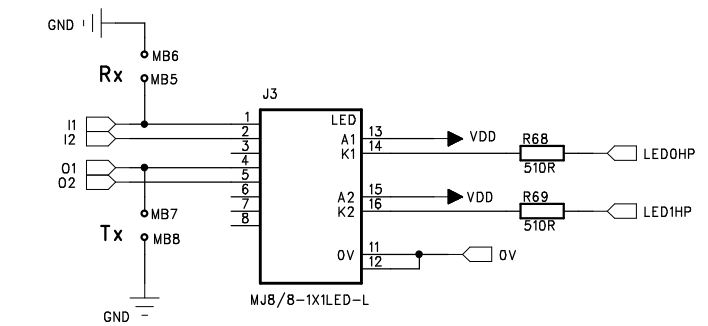
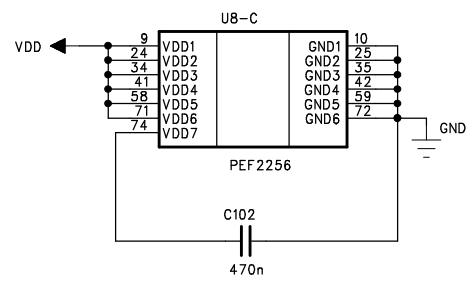
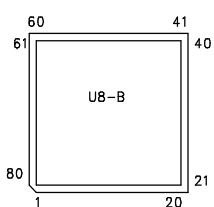
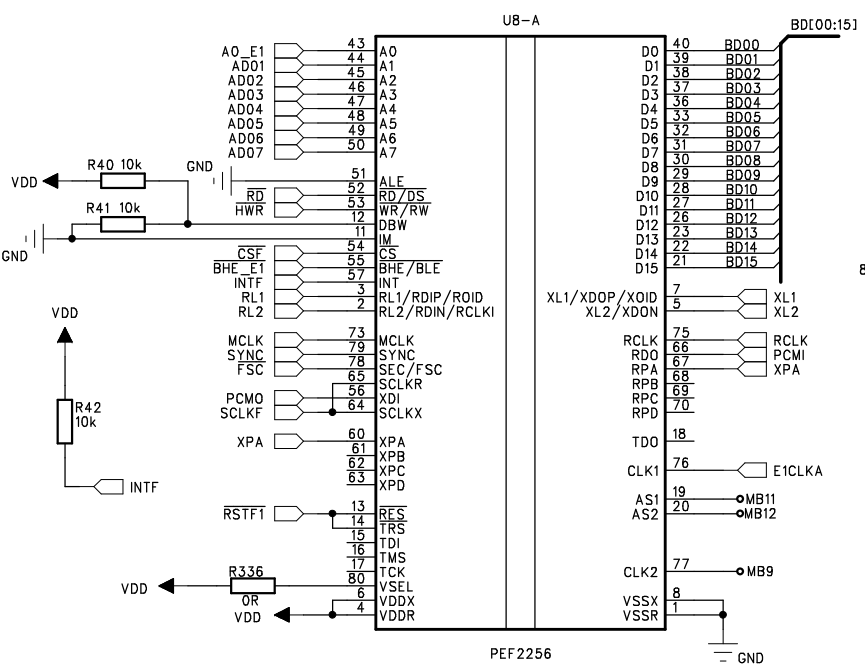
COMPANY: INOTESKA s.r.o		DATE:
TITLE:		
DRAWING NO:	REV:	CODE:
DREW:	APPROVED:	
SHEET: 2 OF 11		



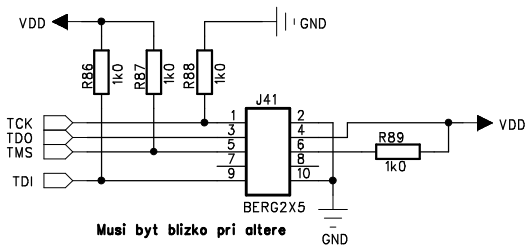
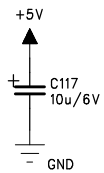
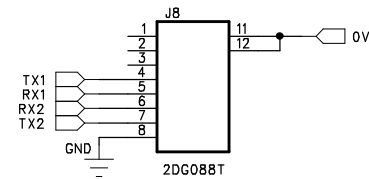
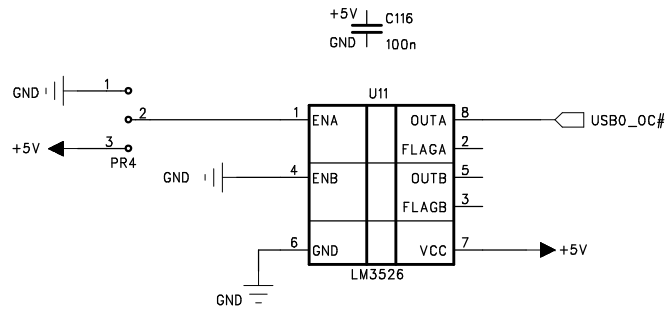
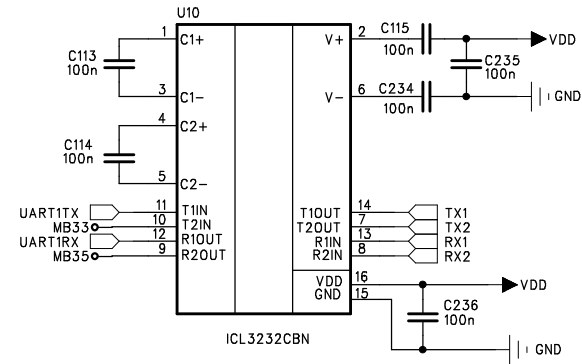
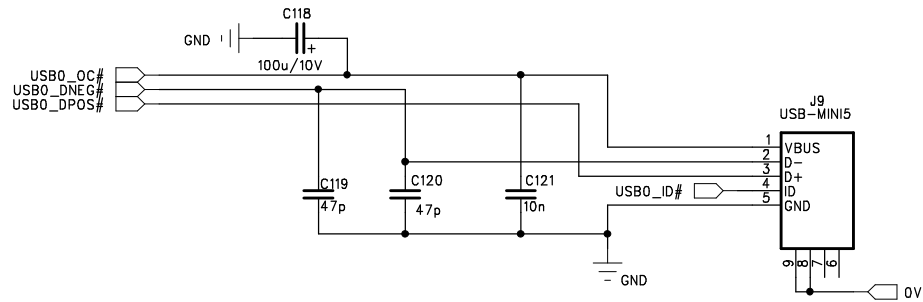
COMPANY: INOTESKA s.r.o		DATE:
TITLE:		
DRAWING NO:	REV:	CODE:
DREW:	APPROVED:	
SHEET: 3 OF 11		

- drotova prepjoka

□ - neosadzat



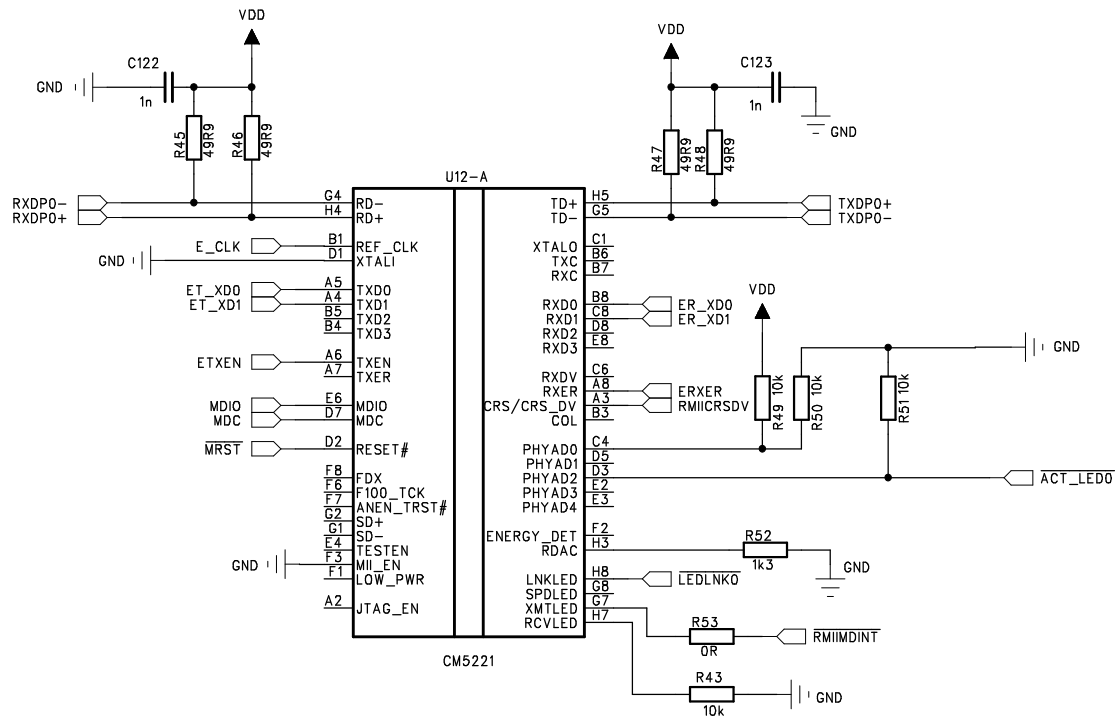
COMPANY: INOTESKA s.r.o		DATE:
TITLE:		
DRAWING NO:	REV:	CODE:
DREW:	APPROVED:	
SHEET: 4 OF 11		



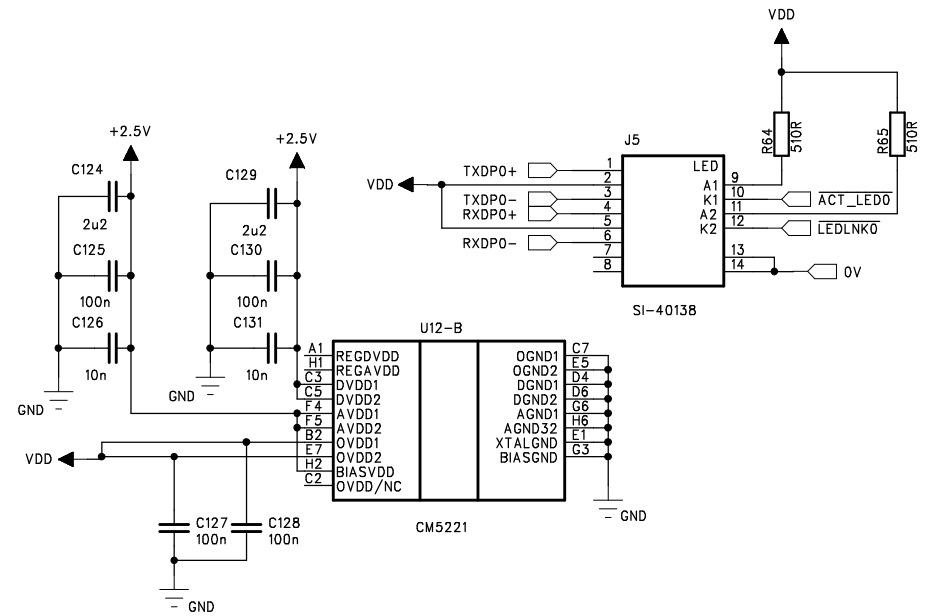
Musi byt blizko pri altere

- B1
- B2
- B3

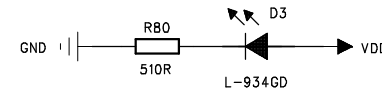
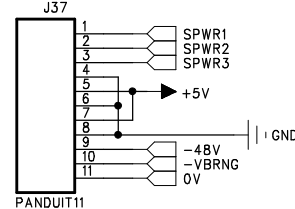
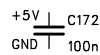
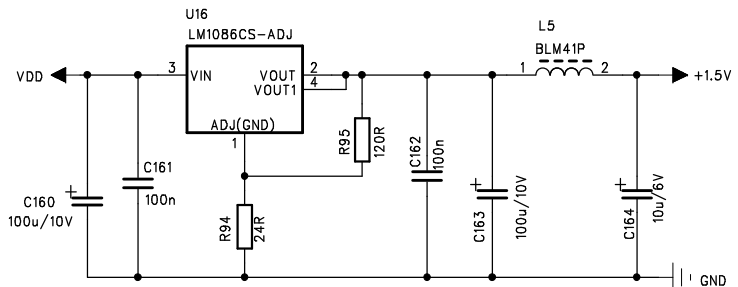
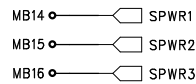
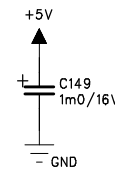
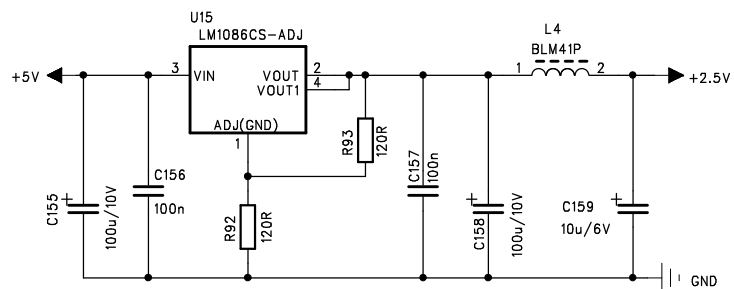
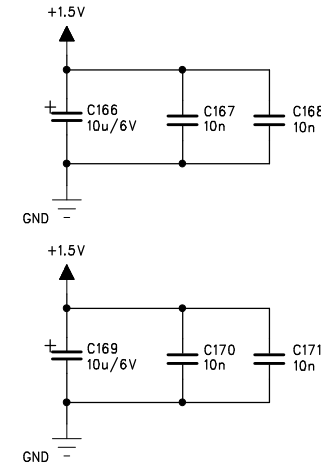
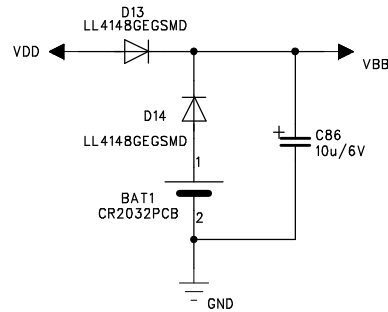
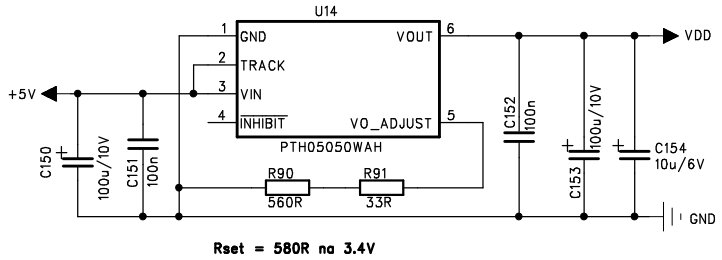
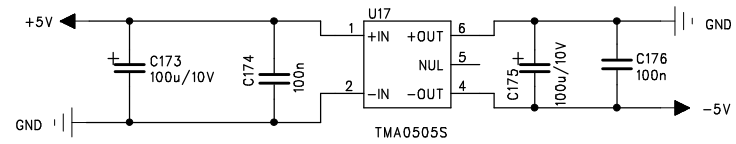
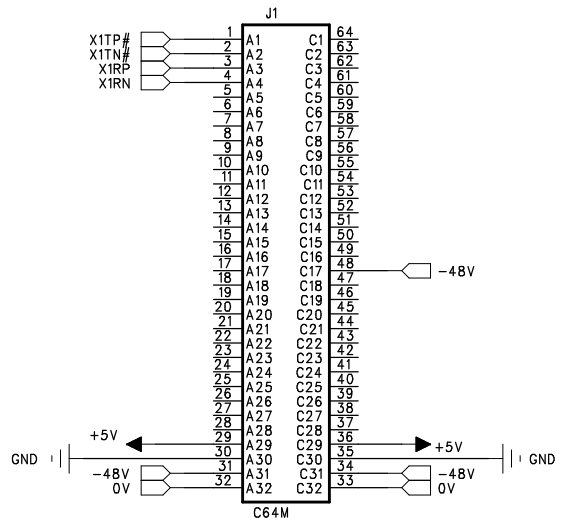
COMPANY: INOTESKA s.r.o		DATE:
TITLE:		
DRAWING NO:	REV:	CODE:
DREW:	APPROVED:	
SHEET: 5 OF 11		



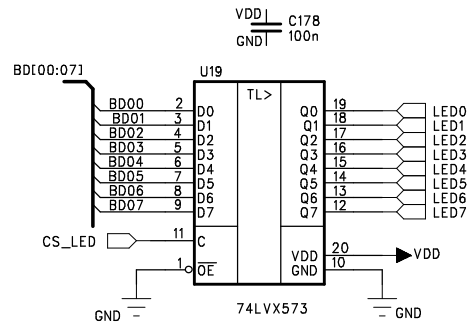
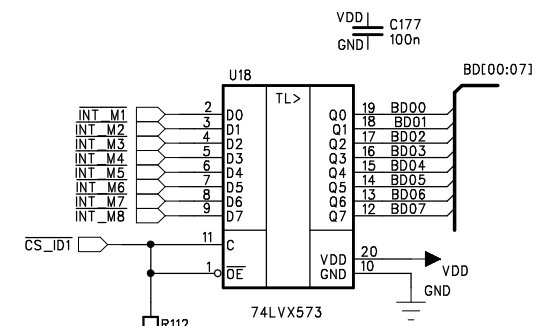
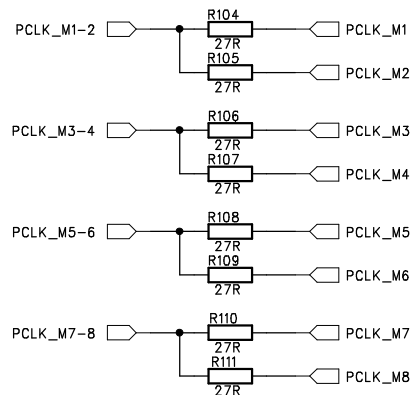
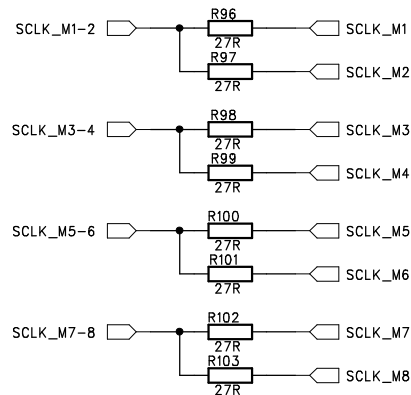
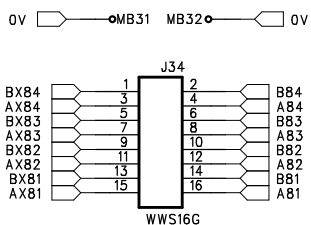
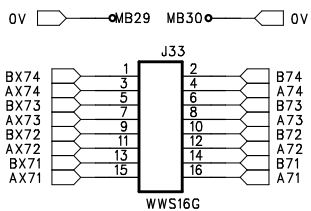
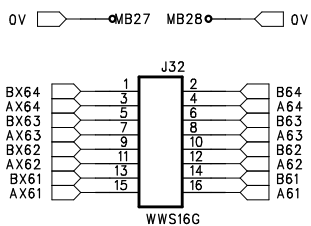
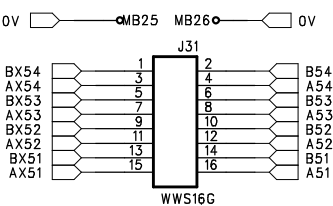
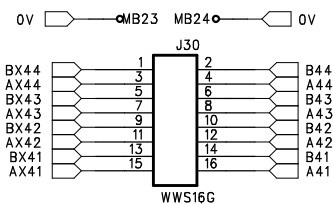
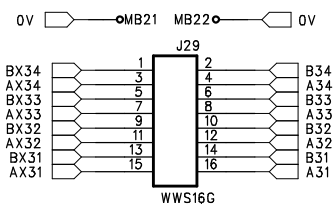
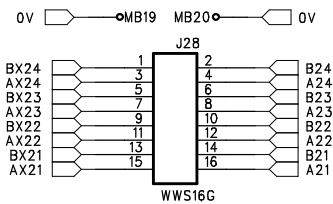
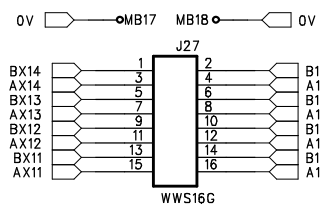
ETH0



COMPANY: INOTESKA s.r.o		DATE:
TITLE:		
DRAWING NO:	REV:	CODE:
DREW:	APPROVED:	
SHEET: 6 OF 11		



COMPANY: INOTESKA s.r.o		DATE:
TITLE:		
DRAWING NO:	REV:	CODE:
DREW:	APPROVED:	
SHEET: 7 OF 11		



- drotova prepjka
 □ - neosadzat

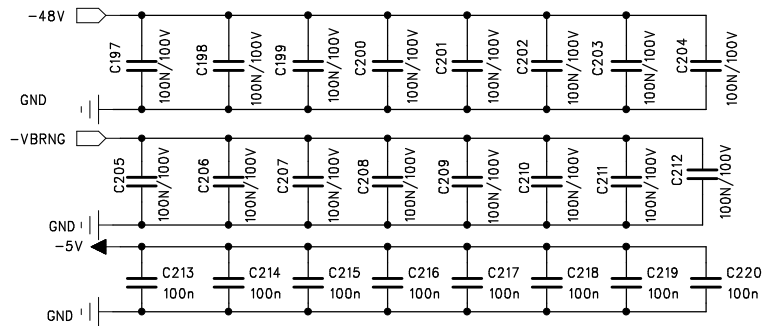
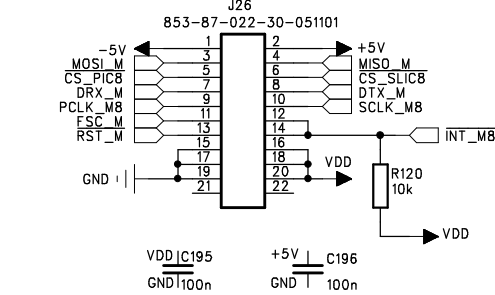
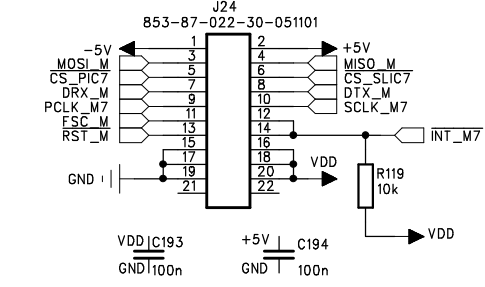
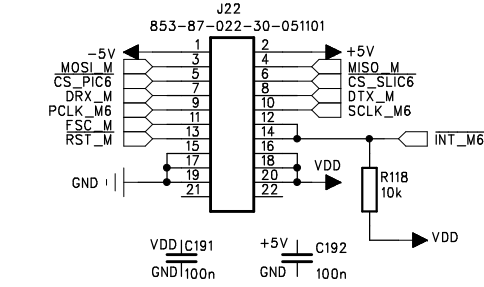
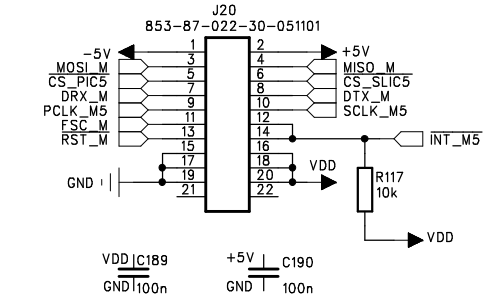
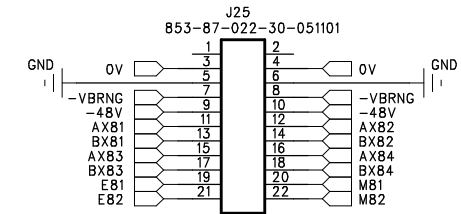
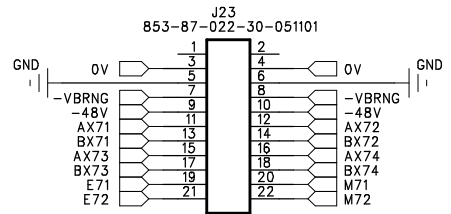
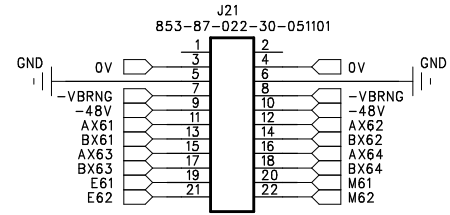
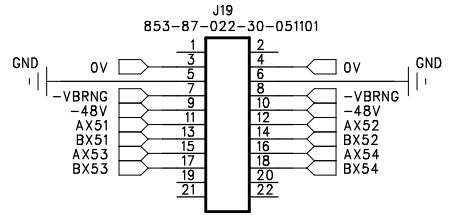
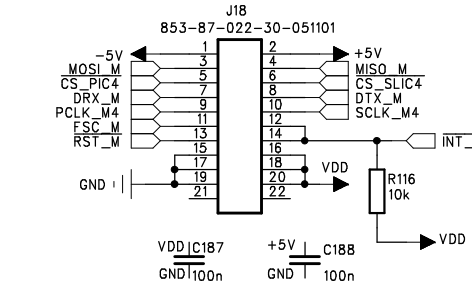
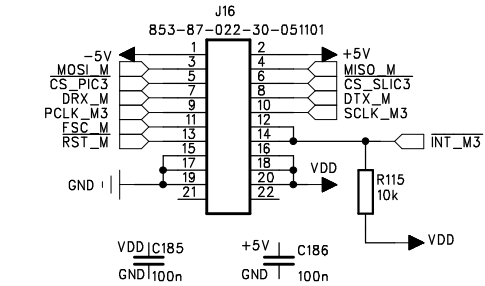
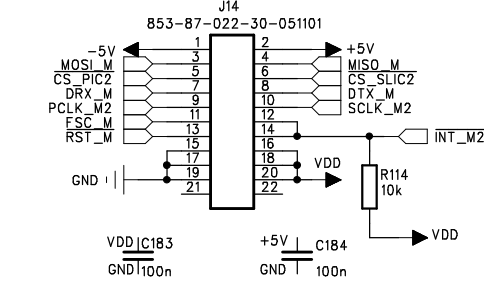
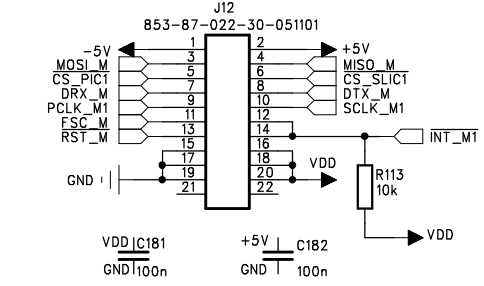
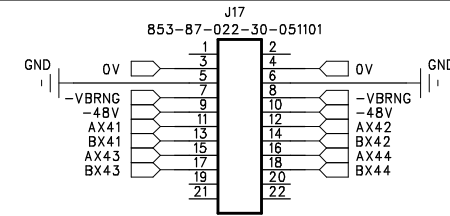
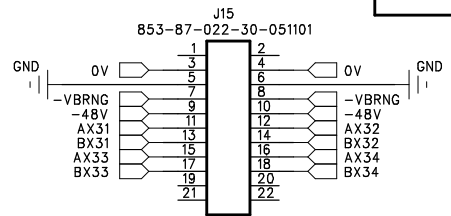
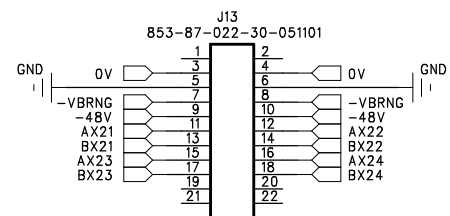
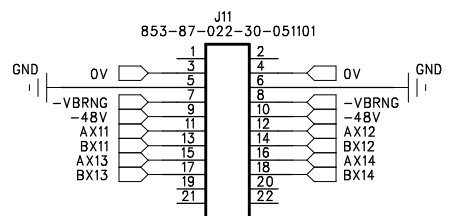
REVISION RECORD	DREW:	DATE:
-----------------	-------	-------

COMPANY: INOTESKA s.r.o		DATE:
TITLE:		
DRAWING NO:	REV:	CODE:
DREW:	APPROVED:	
SHEET: 8 OF 11		

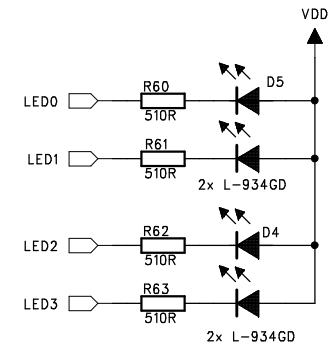
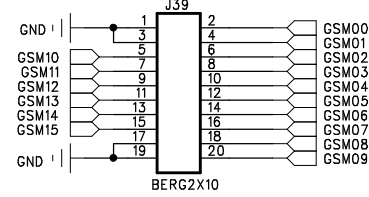
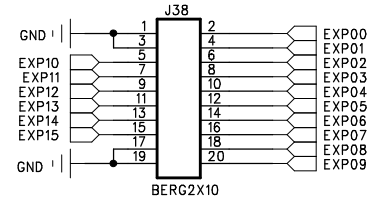
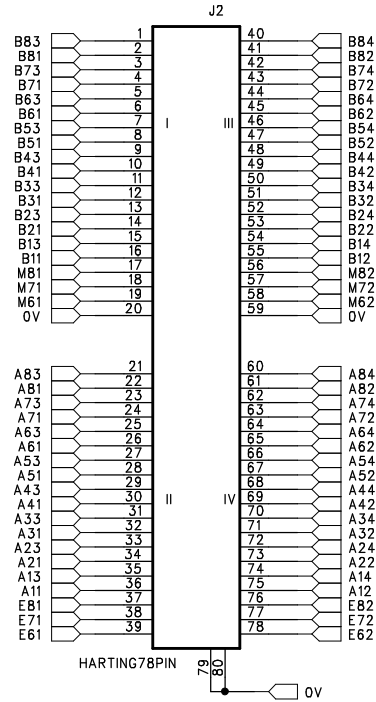
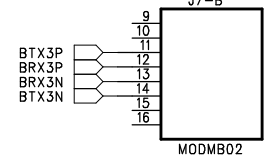
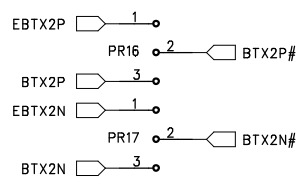
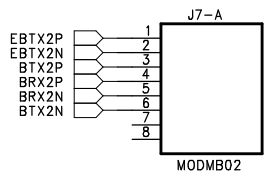
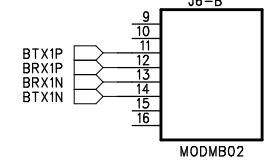
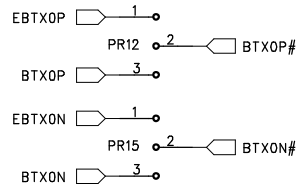
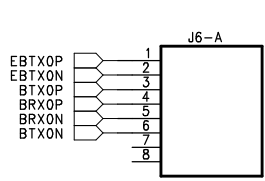
REVISION RECORD

DREW:

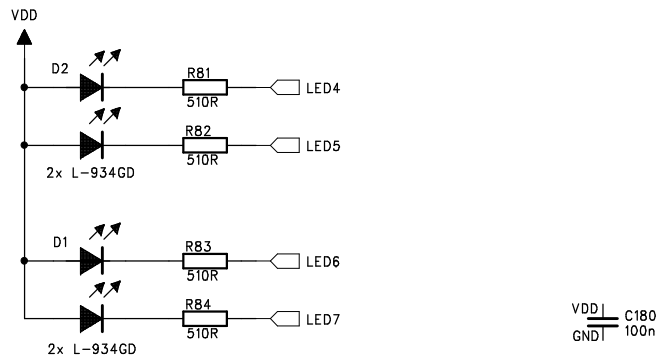
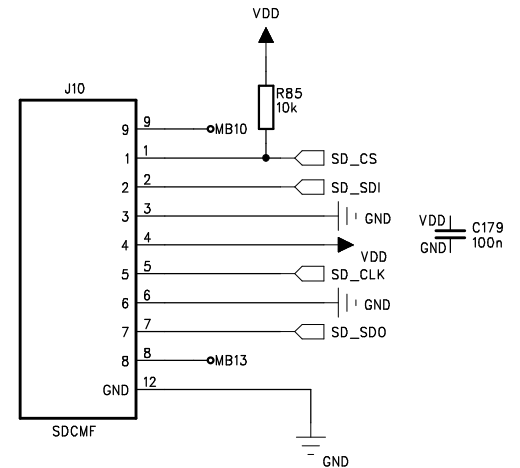
DATE:



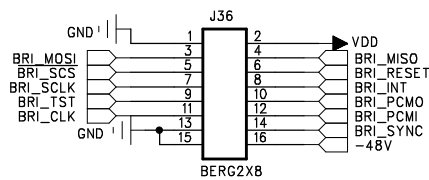
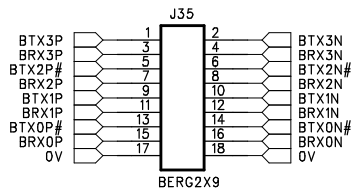
COMPANY: INOTESKA s.r.o		DATE:
TITLE:		
DRAWING NO:	REV:	CODE:
DREW:	APPROVED:	
SHEET: 9 OF 11		



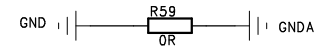
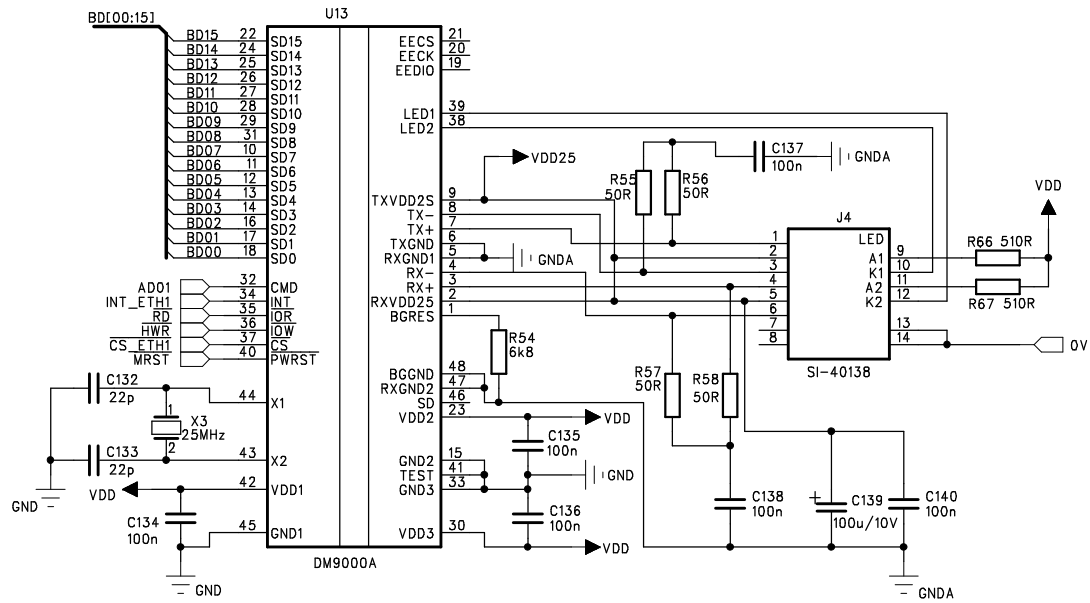
SD karta



VDD | C180
GND | 100n



COMPANY: INOTESKA s.r.o		DATE:
TITLE:		
DRAWING NO:	REV:	CODE:
DREW:	APPROVED:	
SHEET: 10 OF 11		



COMPANY: INOTESKA s.r.o		DATE:
TITLE:		
DRAWING NO:	REV:	CODE:
DREW:	APPROVED:	
SHEET: 11 OF 11		